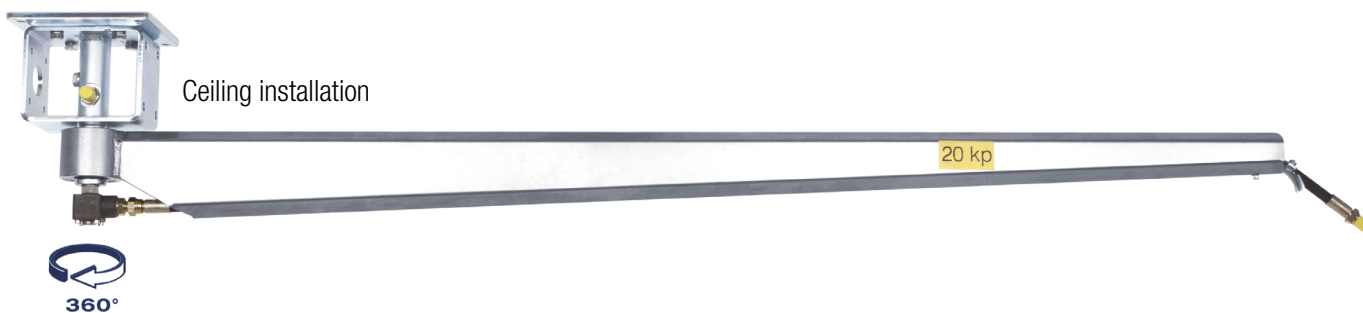


# Ceiling and wall gyroscope type KR

This very robust, maintenance-free construction is designed for a long life.



## Boom:

Warp-resistant sheet steel profile of corrosion-proof stainless steel AISI 304.

## Bearings:

Solid sheet steel construction, corrosion resistant by galvanization.

Two reliable plain bearings, greased and encapsulated for high durability will guarantee a smooth gliding.

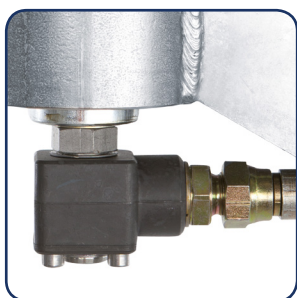
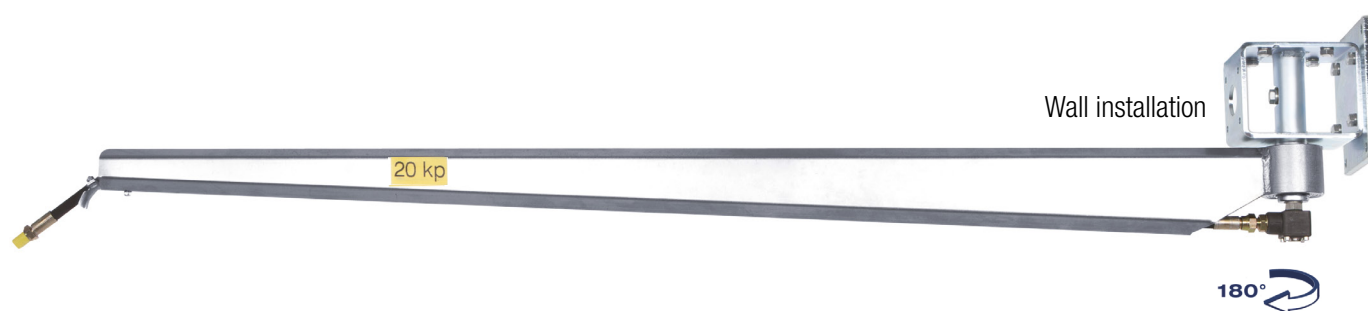
## Angled swivel:

The standard angled swivel WDH10/AI is basically equipped with stainless steel axles. The housing consists of a hard anodized aluminium die cast alloy. All types can be supplied in stainless steel AISI 304 upon request. The used seals are made of PTFE and EPDM. For a surcharge they are also available in Viton for chemistry.

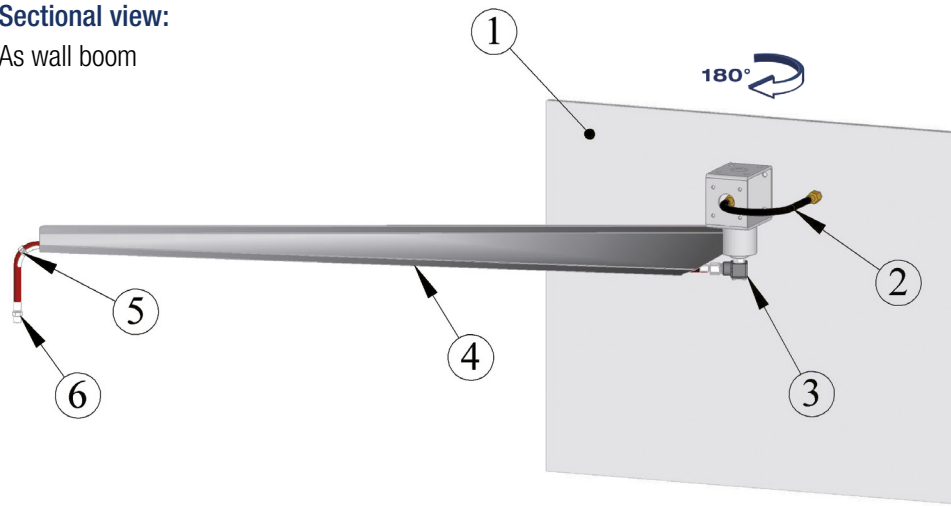
## Application areas:

Water, water with detergents, air, oil and grease. Approved for ceiling and wall installation.

- Ceiling gyroscope (360°), installation in factories, garages, service stations, car washes and self service station.
- As wall boom (180°).
- Additional for the wall boom type SA. The radius can be extended.

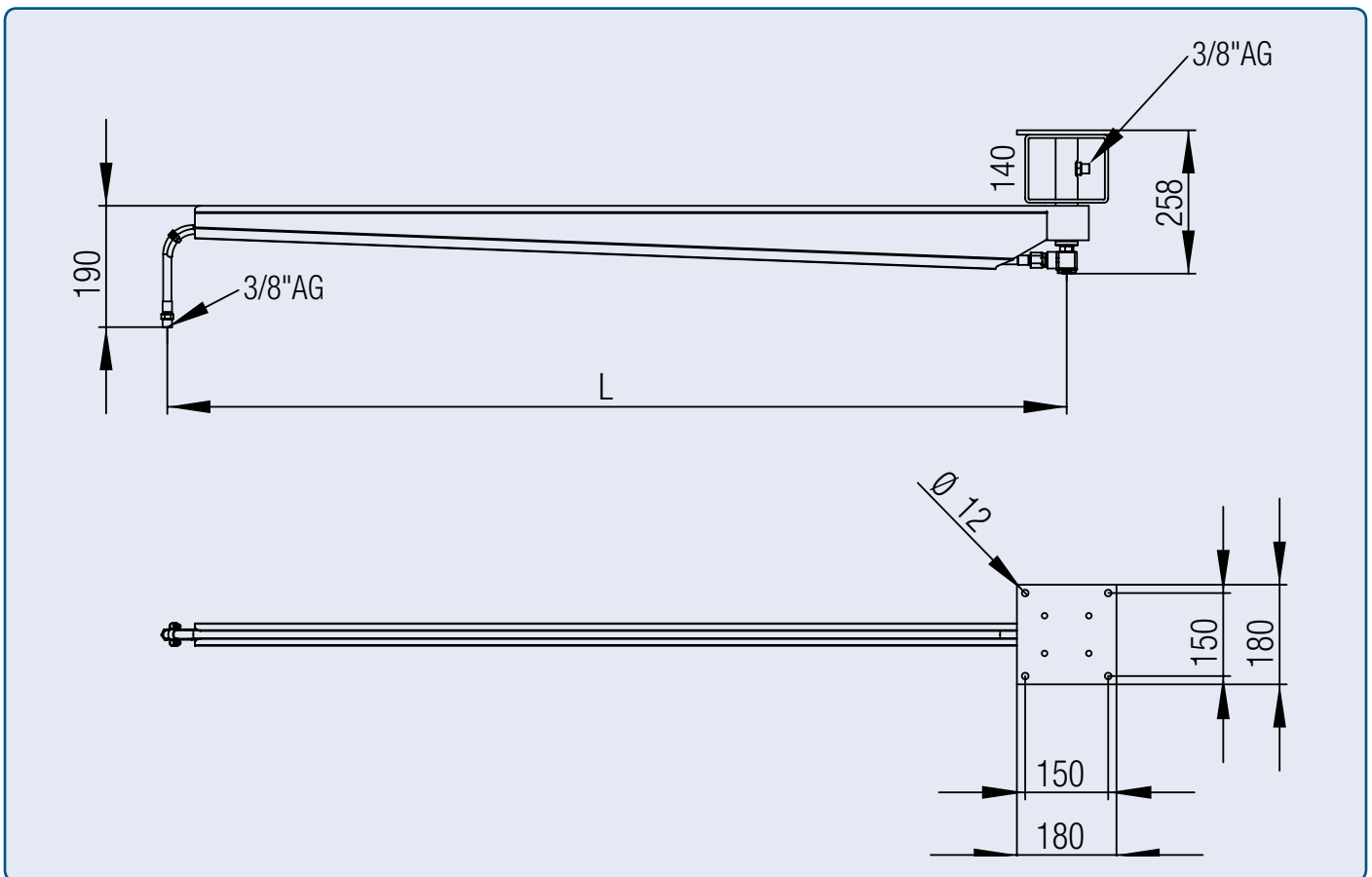


Sectional view:  
As wall boom



P.	Description
1	Ceiling / wall
2	Feeding hose
3	Angled swivel
4	Gyroscope
5	Hose clamp
6	Working hose

Dimensions:



Gross price list and technical data :

Type	Item number	Length L	Tensile load	Weight [kg]	Temp. [°C]	Pressure [bar]		
KR 1.6	V1073000901	1620 mm	200 N	13,0	100	300		
KR 2.0	V1073000902	2000 mm	200 N	14,1	100	300		
KR 2.5	V1073000903	2500 mm	200 N	15,4	100	300		

Extent and condition of delivery:

The gyroscope is entirely pre-assembled: The equipment contains a 3/8" connecting hose between the angled swivel and the outlet. A set of screws and dowels for the mounting onto the wall are included in the delivery. The working hose (outlet to pistol) and feeding hose (water connection to console) is not included but available on request.