

Universal hose holder

This hose holder tidies up your hose reels economically. It works hose-protecting, reduces risks of accidents and looks neat. The solid, spacious and corrosion resistant stainless steel construction allows large hose quantities.

Available materials:




- Stainless steel (Application in wet areas).

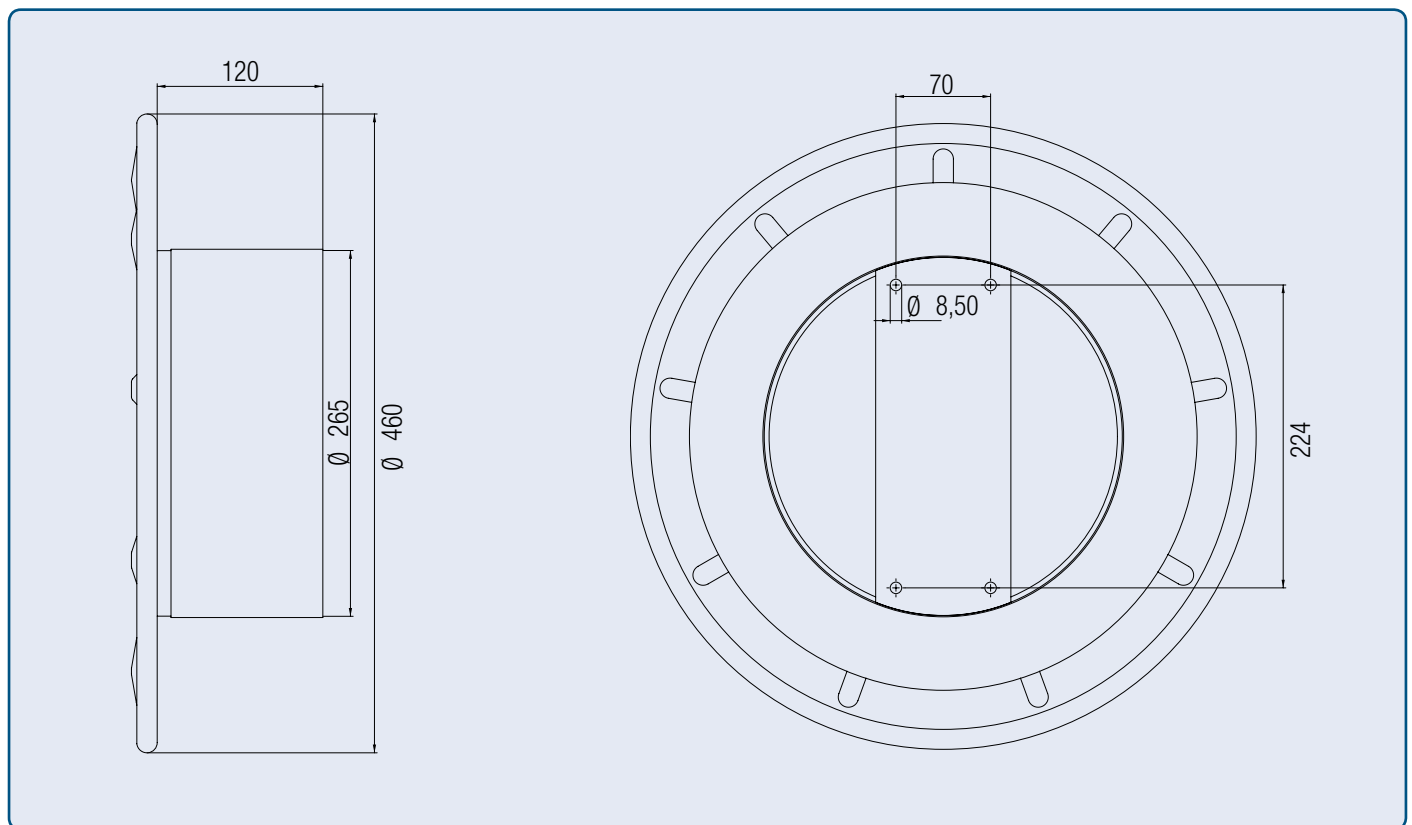
Application areas:

Where ever hoses are used. Every stable wall, a tight pillar is approved for mounting.



Gross price list and technical data :

Type	Weight	Item number		
				
Universal hose holder	2,5 kg	V10710057		



Stable version



Old version

Since 2016 there is a new version where the holes for the installation are in the middle of the drum. See picture above.