

Mobile hotbox, type HBm

Mobile, oil heated pressure flow heater, WITHOUT pump.

It is a very compact hot water production with elegant design and excellent mobility.
Combined with a cold water hot pressure cleaner an additional benefit arises because of the hot water.

Outstanding features:

- Reliable, compact and mobile edition.
- Easy handling.
- No pre-heating time.
- There is no need for transportation of hot water by the pump.
Cold water is compressed and then heated.
The durability of the pump will be prolonged considerably.
- High degree of efficiency and thus low consumption.
(Compared with modern boiler systems).
- Design tested burner.
- Easy to maintain.



Application areas:

- Facade cleaning
- Construction sites (even on scaffolds)
- Chemical accidents: Decontamination of human beings, machines and systems.
With regards to decontamination of human beings, mobile showers are installed in tents and container. The hotbox provides water for 6 showers at maximum. An optional available thermostat battery is responsible for constant water temperatures. (HBmD)
- Removal of graffiti: (The systems could be equipped optionally with a steam generation up to 110 ° C).
- Rehabilitation of canals and pipes: Modern procedures enable a rational rehabilitation of old and defect sewerage systems.
Inlets made of plastics which are hardened by hot water, are installed.

This is just little variety of areas of application, which could be continued.

Fact: This system could be used universally due to its high mobility.

Excellent features of transportation:

Little measurements in combination with low weights guarantee an excellent mobility and allow the transportation in vans and similar vehicles. The handling, similar to hand trucks enables to movement in difficult areas.

Available eye hooks make the hotbox safe crane handling.

Plug & spray:

Filling up with heating oil, connect power and water and start up. There is no easier handling than



Defineable rolls



Synthetic cover



Digital Water inlet/outlet

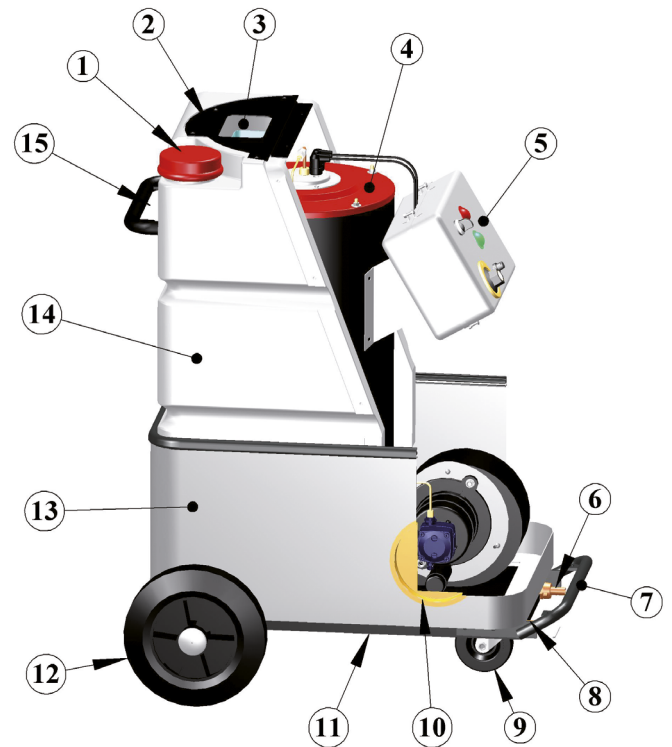


Solid tires

Sectioning

Mobile hotbox, 110 / 230V, oil heated, type HBm

P.	Description
1	Fuel filter neck, plastic cover
2	Cover plate, sheet steel powder coated
3	Exhaust gas chimney, stainless steel
4	Boiler BR1000 or BR750
5	Switch box, sheet steel, powder coated
6	Water inlet fitting, brass or steel, galvanized
7	Ram protector with crane flanges, steel tube, powder coated
8	Water outlet fitting, brass or steel, galvanized
9	Free swiveling wheel with brake Ø 80, galvanized steel/solid rubber
10	Service access cover, plastic
11	Bottom plate, galvanized sheel steel, powder coated
12	Solid tyred wheel, Ø 200
13	Base, stainless steel, necessary for HBm 1000 only
14	Fuel tank, plastic, approx. 18 litre
15	Shaped handle with 2 crane flanges, steel tube, powder coated
You will find more technical data about BR on page 4-5	



Options

Steam generation up to 110°C, (Standard: 95°C)

Temperature regulation by means of thermostat mixing regulator, (standard: regulating thermostat).

Technical Data

Mobile hotbox, 110 / 230V, oil heated, type HBm

Description / Type	HBm750	HBm1000	HBm1000 Eco
Content heating coil	see page 4		
Allowed operating pressure [bar]	4 - 500	4 - 500	4 - 500
Allowed operating temperature [°C]	95	95	95
Dimension l x w x h [mm] *	830x455x760	830x455x975	830x455x975
Weight [kg] *	58,00	68,00	68,00
Tube lenght of heating coil [m]	see page 4		
Tube- Ø of the heating coil [mm]	see page 4		
Operating voltage/ Frequency [V/Hz]	230/50	230/50	230/50
	110/50	110/50	110/50
Capacity [Watt]	400	400	400
Nozzle [G/h]	1,5	1,75	2,25
max. oil flow [l/h]	5,93 - 7,26	6,92 - 9,15	9,15 - 12
Effect. range of capacity [kW]	50-62	65-80	65-95
Efficiency Combustion [%]	>=91	>=91	>=91
Max. exhaust gas temperature [°C]	230	230	230
Exhaust gas loss [%]	<=9	<=9	<=9
Soot value according to Bacherrach	0-1	0-1	0-1

Gross price list, mobile hotbox, 230V, WITH safety control

The standard types are equipped with: 300 bar steel heating coil, electrical equipment 230V / 50 Hz, regulation of temperature by a hydraulic thermostat regulator, tubes made of galvanized sheet steel.

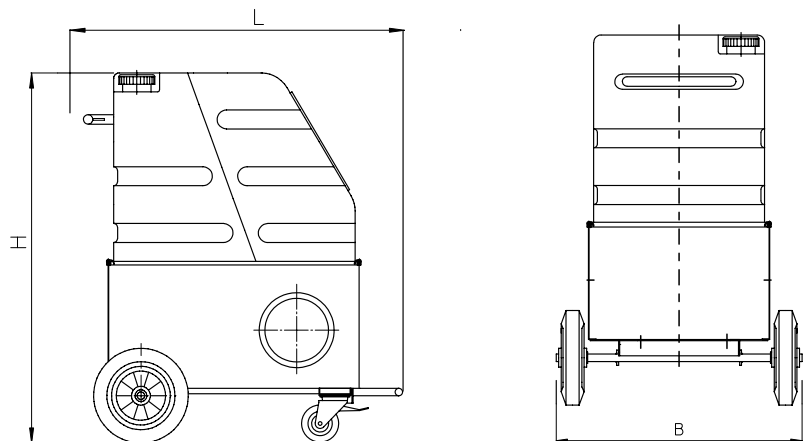
Flow switch and safety valve made of brass, connectors and fittings made of galvanized steel, variations are added by "M-product codes", i.e. V10460005 + M10400024-5 + M10460001

Version/ Variety	HBm750		HBm1000	
	Item number		Item number	
Hotbox, type HBm, standard version	V10460002		V10460005	
Versions				
Steam generation up to 110°C	M10460001		M10460001	
Heating coil 3/8" 500 bar steel	M10400027-5		M10400029-5	
Heating coil 3/8" 300 bar stainl. steel 1.4301	M10400019-5		M10400021-5	
Heating coil 3/8" 500 bar stainl. steel 1.4301	M10400019-6		M10400021-6	
Heating coil 1/2" 200 bar steel	M10400009-5		M10400011-5	
Heating coil 1/2" 200 bar stainl. stel, 1.4301	M10400022-5		M10400024-5	
Surcharge 110V / 50Hz - Equipment	M10430002		M10430002	
Accessories				
Temperature regulator by mixing reg.*	M10460001-2		M10460001-2	
Crane hoisting equipment	V10460006		V10460006	
Diffusor (Tuningset)	B10400320		B10400320	
Biodiesel version (oil pre-heater)	B10400326-1		B10400326-1	
Low pressure version (press. switch, valve)	MP10400965		MP10400965	
Digital thermostat + PTC sensor	MP10400972-2		MP10400972-2	
Digital thermostat + PTC sensor (two)	MP10400972-3		MP10400972-3	

Dimensions

Type	mm L	mm B	mm H
HBm750	830	455	760
HBm1000	830	650	975

*Dimensions without mixing battery
Required for the operation of showers
(only if heating coils of 1/2" are used)
operation pressure 4 – 10 bar.



List of materials of safety elements

Tube dimension Hc	3/8"				1/2"	
Material Hc	Steel		Stainless steel		Steel	St. steel
Operating pressure [bar]	300	500	300	500	200	200
Flow switch	Brass	St. steel	Brass	St. steel	Brass	Brass
Pressure switch	Brass	St. steel	Brass	St. steel	Brass	Brass
Safety valve	Brass	Brass	Brass	Brass	Brass	Brass
Tubes	Steel galv.	Steel galv.	St. steel	St. steel	Steel galv.	St. steel
Connectors/fittings	Steel galv.	Steel galv.	Steel galv.	Steel galv.	Steel galv.	Steel galv.